

PART NO.	PIPE DIA.	D	A	B	H	MATERIAL	BOX QTY
FM125-021	15nb	21	85	61	9	25 x 3	100
FM125-027	20nb	27	91	67	9	25 x 3	50
FM125-034	25nb	34	98	74	9	25 x 3	50
FM125-043	32nb	43	107	83	9	25 x 3	50
FM125-048	40nb	48	112	88	9	25 x 3	50
FM125-060	50nb	60	124	100	9	25 x 3	50
FM125-076	65nb	76	140	116	9	25 x 3	25
FM125-089	80nb	89	153	129	9	25 x 3	20
FM125-115	100nb	115	178	154	9	25 x 3	25
FM125-140	125nb	140	204	180	9	25 x 3	25
FM125-168	150nb	168	280	240	14	40 x 6	20
FM125-220	200nb	220	332	292	14	40 x 6	-
FM125-273	250nb	273	405	345	18	50 x 6	-
FM125-324	300nb	324	484	424	22	50 x 10	-
FM125-355	350nb	355	515	455	22	65 x 10	-
FM125-408	400nb	408	568	508	26	75 x 10	-
FM125-457	450nb	457	607	547	26	75 x 12	-

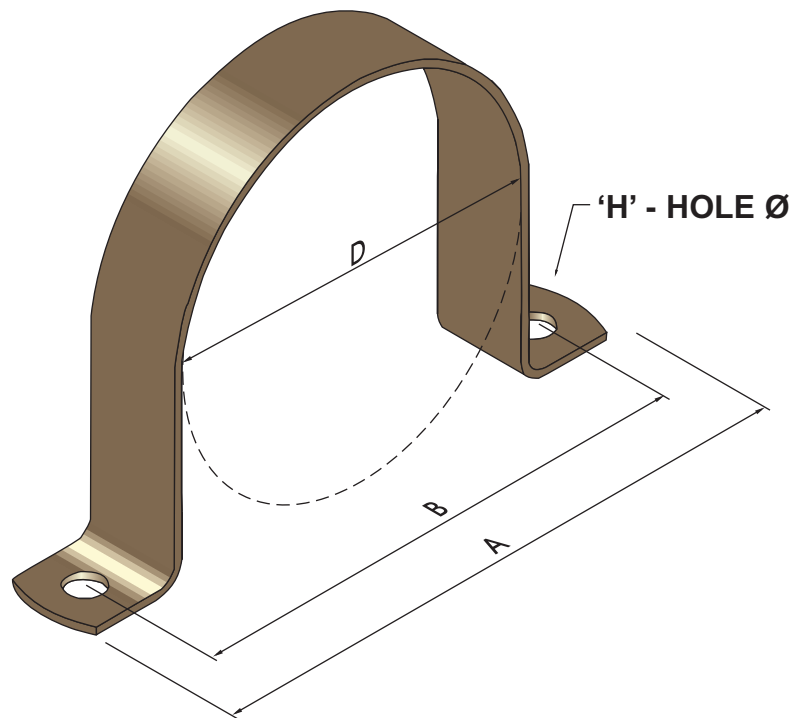
FINISH: GALVANISED & PLAIN

STANDARD SIZES ONLY: OTHER SIZES AVAILABLE ON REQUEST



STANDARD SADDLE CLAMP FOR COPPER CLAMP

FM126



PART NO.	PIPE DIA.	D	A	B	H	MATERIAL
FM126-015	15cu	12.7	78	48	9	25 x 3
FM126-020	20cu	20	83	59	9	25 x 3
FM126-025	25cu	25	89	65	9	25 x 3
FM126-032	32cu	32	96	72	9	25 x 3
FM126-038	40cu	38	102	78	9	25 x 3
FM126-051	50cu	51	115	91	9	25 x 3
FM126-064	65cu	64	128	104	9	25 x 3
FM126-076	80cu	76	140	116	9	25 x 3
FM126-102	100cu	102	166	142	9	25 x 3
FM126-127	125cu	127	191	167	9	25 x 3
FM126-152	150cu	152	248	208	14	40 x 6
FM126-203	200cu	204	299	259	14	40 x 6

NOTE: USE FM133A BARRIER STRIP WHEN BOLTED TO FLEXISTRUT CHANNEL

FINISH: POLYESTER POWDER COATED

STANDARD SIZES ONLY: OTHER SIZES AVAILABLE ON REQUEST