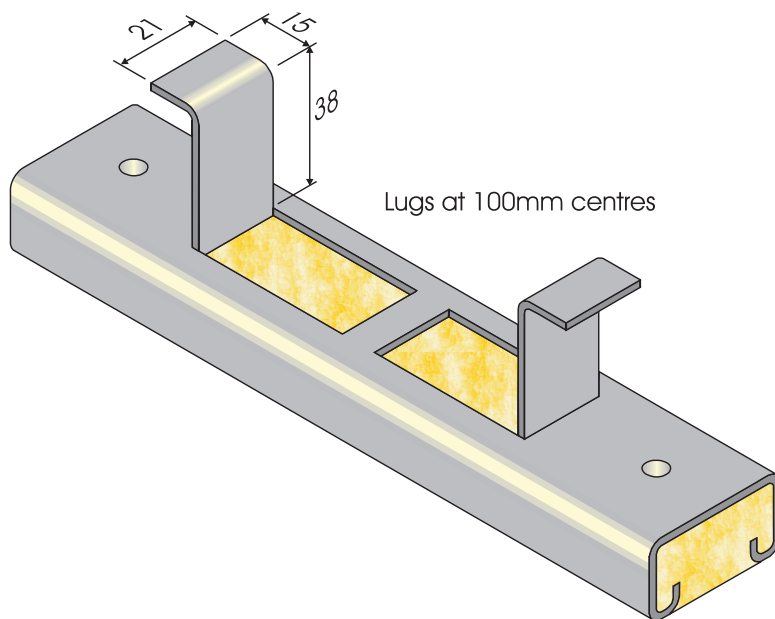


<b>Standard Length:</b>	<b>3 Metres</b>
<b>Foam:</b>	<b>Injected Polyurethane</b>
<b>Finish:</b>	<b>Hot Dipped Galvanised 316 GR Stainless Steel</b>
<b>Loading Data:</b>	<b>Because the support capacity of any concrete insert depends largely on the strength of the concrete used, we cannot guarantee any particular load.</b>
<b>Recommended Pullout Loading:</b>	<b>Inserts 300mm and over 8.83kN per 300mm.</b>
<b>Factor of Safety</b>	<b>Approximately 3</b>
<b>Mass:</b>	<b>2.80kg/m</b>

**Note: Exercise care during installation - Don't bend lugs.**





**Standard Length:**

**Foam:**

**Finish:**

**Loading Data:**

**Recommended Pullout Loading:**

**Factor of Safety**

**Mass:**

**3 Metres**

**Injected Polyurethane**

**Hot Dipped Galvanised**

**316 GR Stainless Steel**

**Because the support capacity of any concrete insert depends largely on the strength of the concrete used, we cannot guarantee any particular load.**

**Inserts 300mm and over 6.37kN per 300mm.**

**Approximately 3**

**1.94kg/m**

**Note: Exercise care during installation - Don't bend lugs.**

