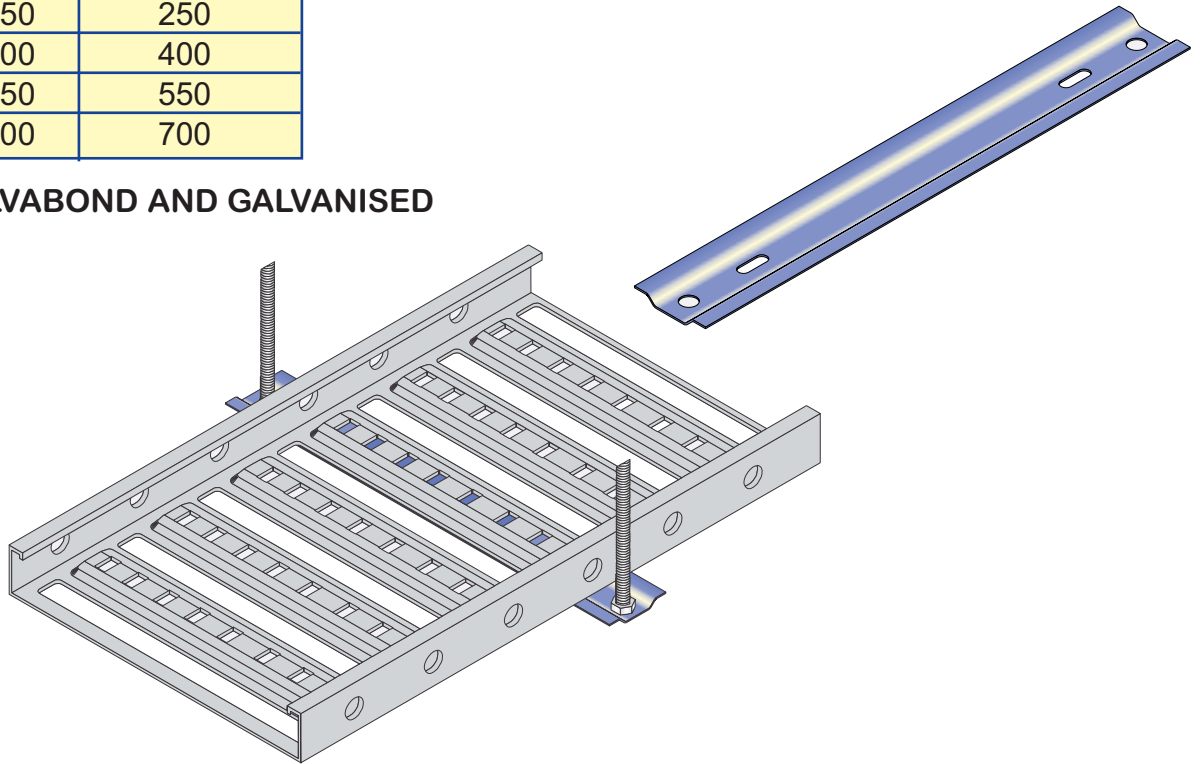


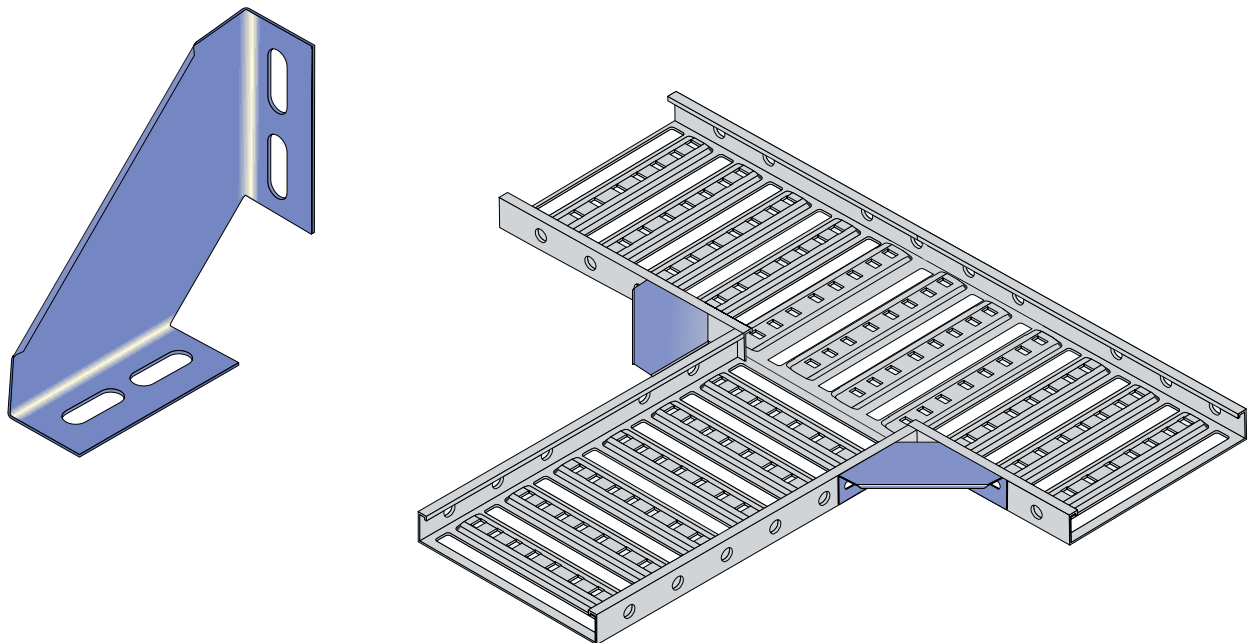
TRAPEZE SUPPORT	
PART NO	WIDTH (W)
FT - TS150	250
FT - TS300	400
FT - TS450	550
FT - TS600	700

FT - TS

FINISH: GALVABOND AND GALVANISED



FT3 - TX



**FLEXISTRUT TRAY T - X BRACKET
USED FOR T OR CROSS INTERSECTION.
(SEE ACROSS)
FINISH: GALVABOND AND GALVANISED**